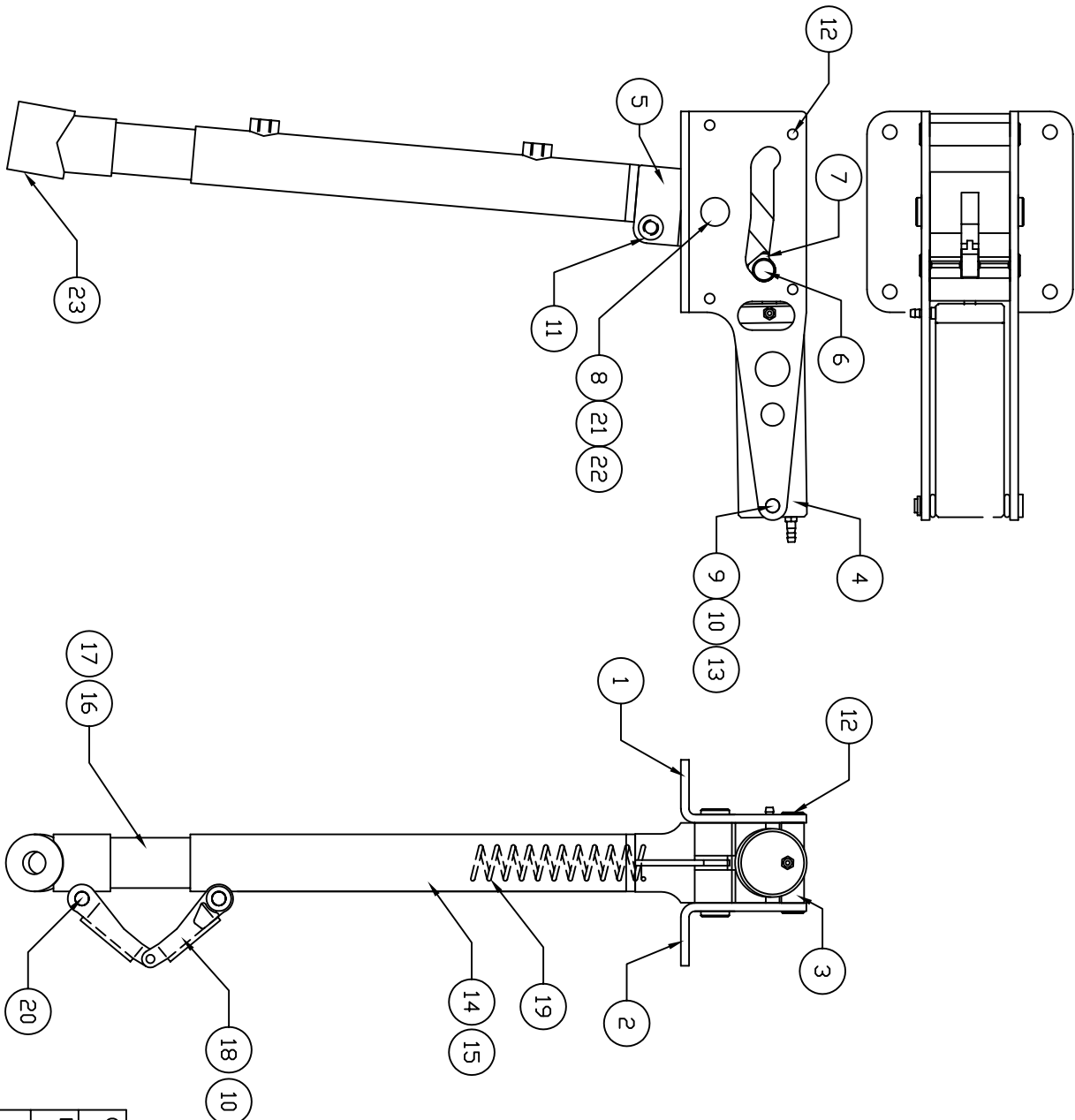


** THIS IS YOUR SPARE PARTS LIST. SAVE FOR FUTURE REFERENCE, ORDER BY PART NUMBER. CURRENT PRICES WILL BE QUOTED.**

SPARE PARTS LIST


QTY	ITEM NOTE	DESCRIPTION	ASS'Y/PART #
1		SIDE FRAME (LH)	YSPF-001M
1		SIDE FRAME (RH)	YSPF-002M
3		FRAME SPACER	635-008M
1		CYLINDER ASSEMBLY	635-108A
1		TRUNION	635-002M
1		CAM PIN	635-006M
2		CAM FOLLOWER	635-007M
2		TRUNION BOLT	630-006M
1		CLEVIS PIN	635-009M
4		RETAINING RING	1039F
1		CLAMP SCREW	1110F
6		FRAME SCREW	1047F
2		D-RING	204-006P
1		STRUT ASSEM.	YSPF-104A
1		STRUT ASSEM.	YSPF-105A
1		DLEO RAM ASSEM.	YSPF-106A
1		DLEO RAM ASSEM.	YSPF-107A
1		TORQUE LINK ASSEM.	620-112A
1		SPRING 8' LONG	151-019P
2		CLEVIS PIN	620-012M
1		TRUNION PIN **	630-333M
2		PIN RETAINING RING **	1132F
1		AXLE BAG ASSEMBLY	145-142A

** USED FOR NEW STYLE
NOTE WHICH STYLE WHEN ORDERING
- OLD STYLE USES BOLTS
- NEW STYLE USES PIN WITH RETAINING RINGS



906-088M

FACTORY REPAIR FEE= \$25.00 PLUS PARTS

CHK'D BY			MFG. INC. 625 N. 12TH ST. ST. CHARLES, IL (630)584-7616
DRAWN BY	J. REHAK		
DATE	8-7-02	TITLE	
MODEL No.	636-YSPF	95° RETRACT FOR YELLOW SPITFIRE LH SHOWN	