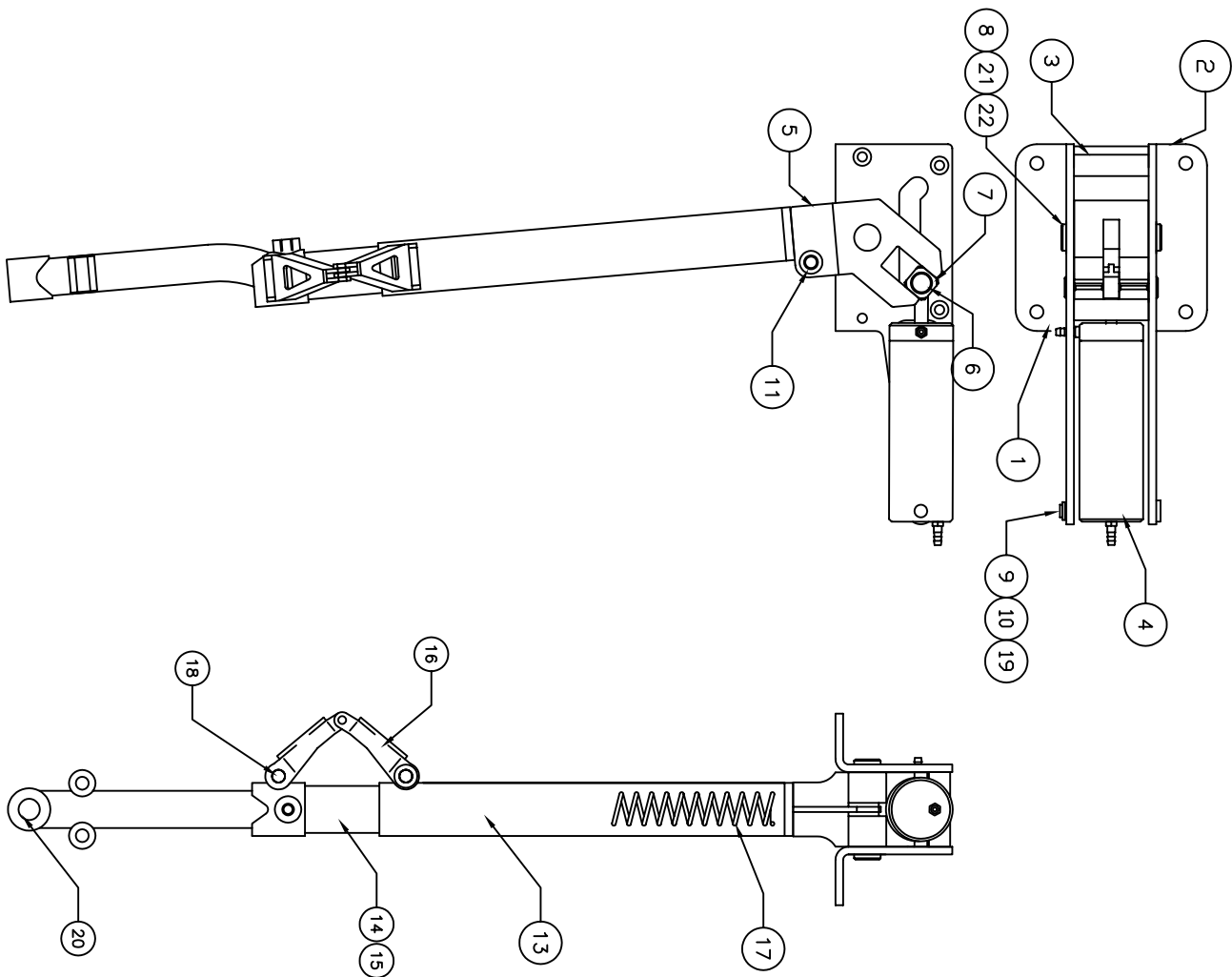
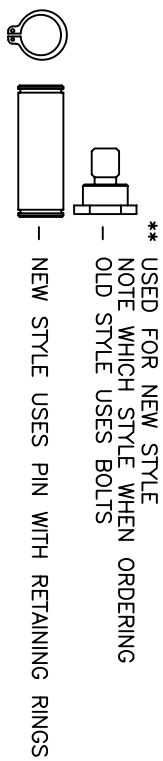


** THIS IS YOUR SPARE PARTS LIST. SAVE FOR FUTURE REFERENCE, ORDER BY PART NUMBER. CURRENT PRICES WILL BE QUOTED.**

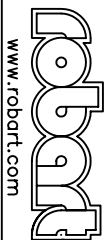


SPARE PARTS LIST

QTY	ITEM	DESCRIPTION	ASSY/PART #
1	1	SIDE FRAME (LH)	630-019M
1	2	SIDE FRAME (RH)	630-020M
3	3	FRAME SPACER	635-008M
1	4	CYLINDER ASSEMBLY	635-108A
1	5	TRUNION	635-002M
1	6	CAM PIN	635-006M
2	7	CAM FOLLOWER	635-007M
2	8	TRUNION BOLT	630-006M
1	9	CLEVIS PIN	635-009M
4	10	RETAINING RING	1039F
1	11	CLAMP SCREW	1110F
6	12	FRAME SCREW	1047F
1	13	STRUT ASSEM.	YP47-104A
1	14	OLEO RAM ASSEM.	YP47-105A
1	15	OLEO RAM ASSEM.	YP47-106A
1	16	TORQUE LINK ASSEM.	620-112A
1	17	SPRING 7 1/2" LONG	151-019P
2	18	CLEVIS PIN	620-012M
2	19	SPACER O-RING	204-006P
1	20	AXLE BAG ASSEMBLY	145-142A
1	21	TRUNION PIN **	630-353M
2	22	PIN RETAINING RING **	1132F



CHK'D BY		MFG. INC.
DRAWN BY	J. REHAK	625 N. 12TH ST. ST. CHARLES, IL (630)584-7616
DATE	8-7-02	TITLE
MODEL No.	636-YP47	85° PNEUMATIC RETRACT YELLOW P47 RH GEAR SHOWN



FACTORY REPAIR FEE= \$25.00 PLUS PARTS

906-087M