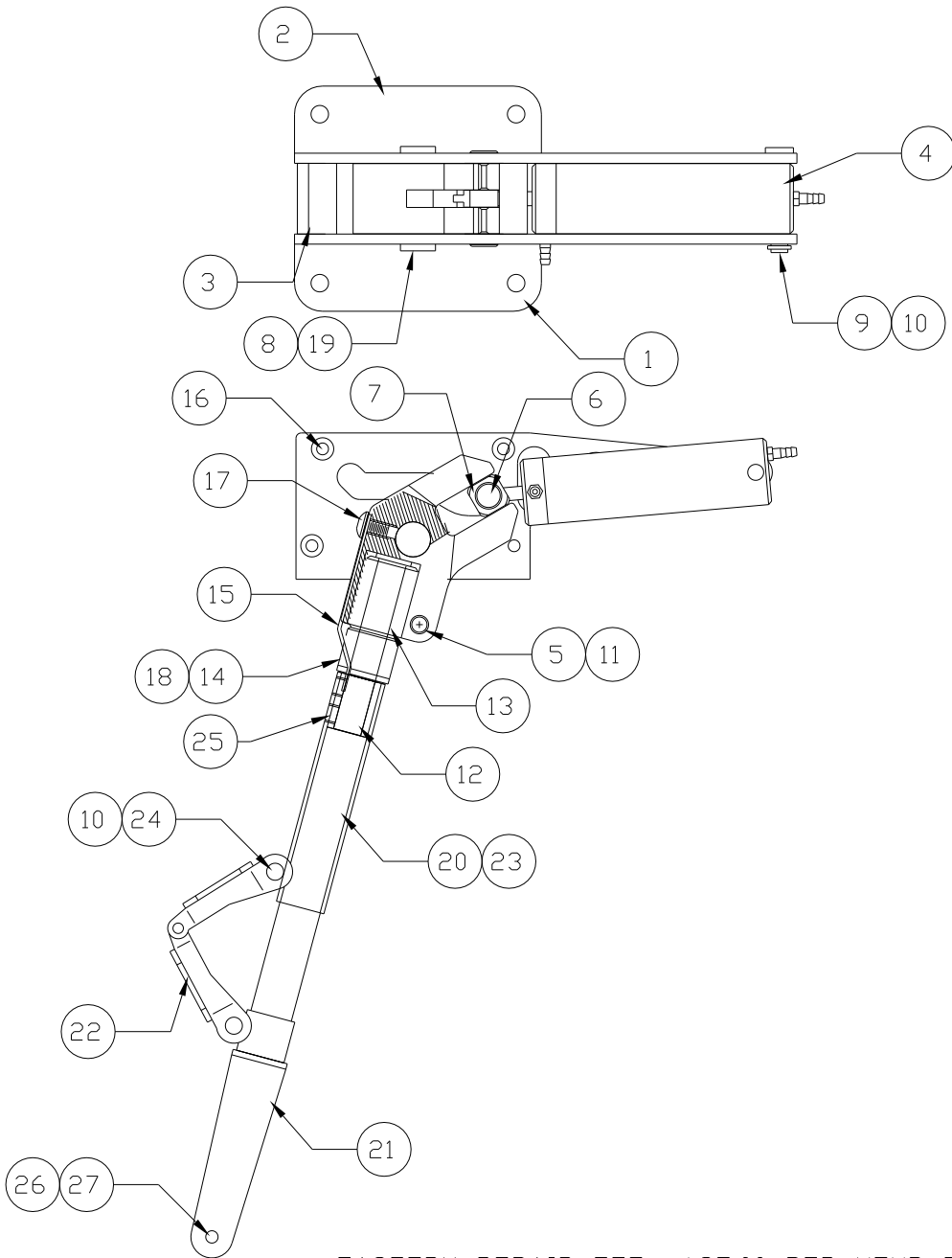


** THIS IS YOUR SPARE PARTS LIST. SAVE FOR FUTURE REFERENCE, ORDER BY PART NUMBER. CURRENT PRICES WILL BE QUOTED.**



SPARE PARTS LIST

QTY	ITEM	NOTE	DESCRIPTION	ASS'Y/PART #
1	1		SIDE FRAME (LH)	630-017M
1	2		SIDE FRAME (RH)	630-018M
3	3		FRAME SPACER	630-005M
1	4		CYLINDER ASSEMBLY	630-102A
1	5		TRUNION	630-023M
1	6		CAM PIN	630-012M
2	7		CAM FOLLOWER	630-011M
1	8		TRUNION PIN	630-333M
1	9		CLEVIS PIN	150-012M
3	10		RETAINING RING	1039F
1	11		CLAMP SCREW	1110F
1	12		STEERING PIN	C310-004M
1	13		STEERING SHAFT BEARING	WB25-211M
1	14		STEERING ARM ASSEMBLY	WB25-204A
1	15		STEERING SPRING	630-021M
6	16		#4-40 x 1/4" PPHMS	1047F
1	17		#8-32 x 1/4 BHCS	1133F
1	18		#8-32 x 3/16 KCPSS	1198F
2	19		TRUNION PIN RETAINING RING	1132F
1	20		STRUT WELDMENT	C310-203A
1	21		OLEO RAM WELDMENT	C310-204A
1	22		TORQUE LINK ASSEMBLY	620-112A
1	23		SPRING 4" LONG	660-006P
2	24		CLEVIS PIN	620-012M
2	25		#8-32 x 3/16 SET SCREW	1198F
1	26		AXLE	160-020M
2	27		#4-40 PPHMS	1047F

CHK'D BY

DRAWN BY
J. REHAK

DATE
12/06

MODEL No.
TFCESSNA310



MFG. INC.
625 N. 12TH ST.
ST. CHARLES, IL
(630)584-7616

TITLE
**NOSE GEAR SPARE PARTS LIST
TOP-FLITE CESSNA 310**

906-307M

FACTORY REPAIR FEE= \$35.00 PER HOUR PLUS PARTS