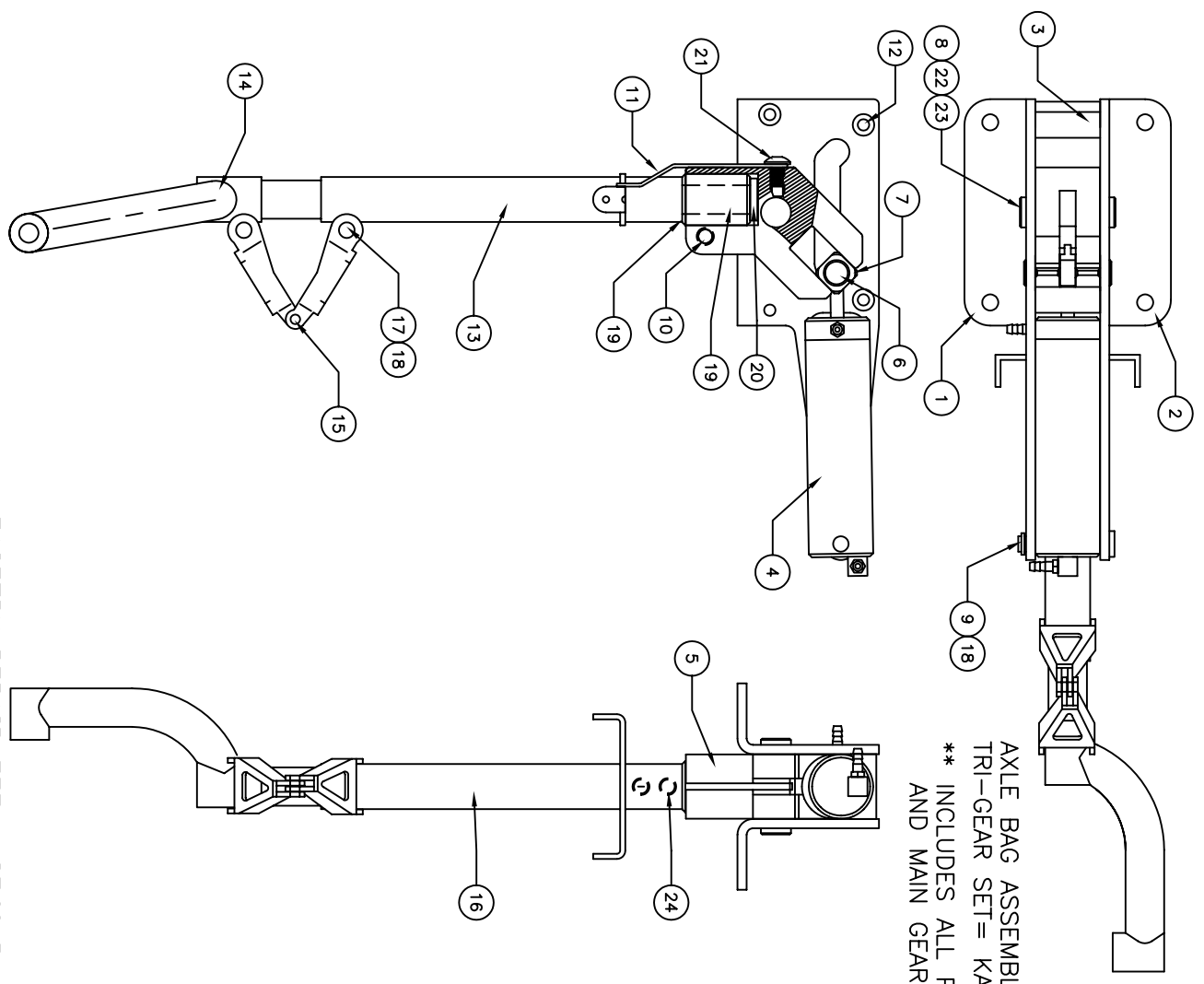


** THIS IS YOUR SPARE PARTS LIST. SAVE FOR FUTURE REFERENCE, ORDER BY PART NUMBER. CURRENT PRICES WILL BE QUOTED.**

SPARE PARTS LIST

ITEM	DESCRIPTION	ASSY/PART #
1	SIDE FRAME (LH)	630-001M
2	SIDE FRAME (RH)	630-002M
3	FRAME SPACER	630-005M
4	CYLINDER ASSEMBLY	KAN-108A
5	TRUNION (THRU HOLE)	630-023M
6	CAM PIN	630-012M
7	CAM FOLLOWER	630-011M
8	TRUNION BOLT	630-006M
9	CLEVIS PIN	150-012M
10	CLAMP SCREW	1110F
11	STEERING SPRING	630-021M
12	#4-40 x 1/4" PPHMS	1047F
13	STRUT WELDMENT	KAN-203A
14	OLEO RAM WELDMENT	KAN-208A
15	TORQUE LINK ASSEMBLY	620-112A
16	SPRING 4 5/8" LONG	660-006P
17	CLEVIS PIN	620-012M
18	RETAINING RING	1039F
19	STEERING BUSHING	WB25-211M
20	AXLE SHAFT	BZA-319M
21	#8-32 x 1/4" BHSMS	1133F
22	TRUNION PIN **	630-333M
23	PIN RETAINING RING **	1132F
24	#8-32 SOC SET SCREW	1198F
25		

AXLE BAG ASSEMBLY FOR KANGAROO TRI-GEAR SET= KAN-142A
 ** INCLUDES ALL PARTS FOR NOSE AND MAIN GEAR ASSEMBLY




** USED FOR NEW STYLE
 NOTE WHICH STYLE WHEN ORDERING



 - NEW STYLE USES PIN WITH RETAINING RINGS



 - OLD STYLE USES BOLTS

CHK'D BY		 MFG. INC. 625 N. 12TH ST. ST. CHARLES, IL (630)584-7616
DRAWN BY	J. REHAK	
DATE	8-7-02	
MODEL No.	630-KANGAROO	
TITLE		90° RETRACTS KANGAROO NOSE

FACTORY REPAIR FEE= \$25.00 PLUS PARTS .906-073M