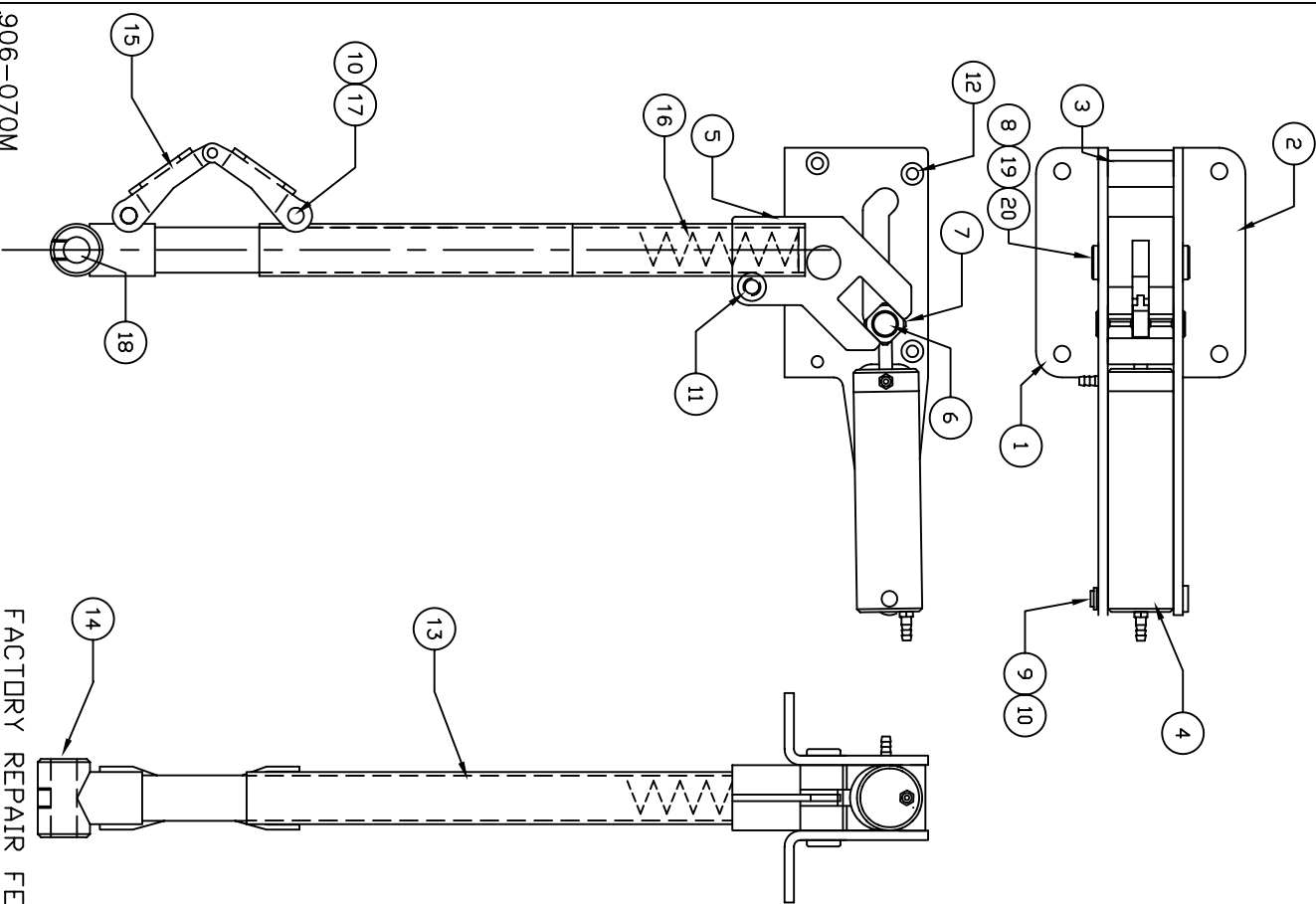


\*\* THIS IS YOUR SPARE PARTS LIST. SAVE FOR FUTURE REFERENCE, ORDER BY PART NUMBER. CURRENT PRICES WILL BE QUOTED.\*\*



FACTORY REPAIR FEE= \$25.00 PLUS PARTS

906-070M

## SPARE PARTS LIST

| QTY | ITEM | DESCRIPTION           | ASS'Y/PART # |
|-----|------|-----------------------|--------------|
| 1   | 1    | SIDE FRAME (LH)       | 630-001M     |
| 1   | 2    | SIDE FRAME (RH)       | 630-002M     |
| 3   | 3    | FRAME SPACER          | 630-005M     |
| 1   | 4    | CYLINDER ASSEMBLY     | 630-102A     |
| 1   | 5    | TRUNION               | 630-003M     |
| 1   | 6    | CAM PIN               | 630-012M     |
| 2   | 7    | CAM FOLLOWER          | 630-011M     |
| 2   | 8    | TRUNION BOLT          | 630-006M     |
| 1   | 9    | CLEVIS PIN            | 150-012M     |
| 3   | 10   | RETAINING RING        | 1039F        |
| 1   | 11   | CLAMP SCREW           | 1110F        |
| 6   | 12   | 4-40 x 1/4" PPHMS ZN  | 1047F        |
| 1   | 13   | STRUT WELDMENT        | 622-115A     |
| 1   | 14   | OLEO RAM WELDMENT     | 622-125A     |
| 1   | 15   | TORQUE LINK ASSEMBLY  | 620-112A     |
| 1   | 16   | SPRING 8" LONG        | 150-019P     |
| 2   | 17   | CLEVIS PIN            | 620-012M     |
| 1   | 18   | AXLE BAG ASSEMBLY     | BZN-142A     |
| 1   | 19   | TRUNION PIN **        | 630-333M     |
| 2   | 20   | PIN RETAINING RING ** | 1132F        |

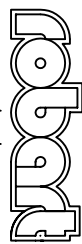
\*\* USED FOR NEW STYLE  
NOTE WHICH STYLE WHEN ORDERING



- OLD STYLE USES BOLTS



- NEW STYLE USES PIN WITH RETAINING RINGS

|           |             |   |  |
|-----------|-------------|---|--|
| CHK'D BY  |             |  | MFG. INC.<br>625 N. 12TH ST.<br>ST. CHARLES, IL<br>(630)584-7616 |
| DRAWN BY  | J. REHAK    |   |  |
| DATE      | 8-7-02      | TITLE   | 90° RETRACT MECHANISM<br>HOTSPOT MAIN GEAR                       |
| MODEL No. | 630-HOTSPOT |   |  |

www.robart.com