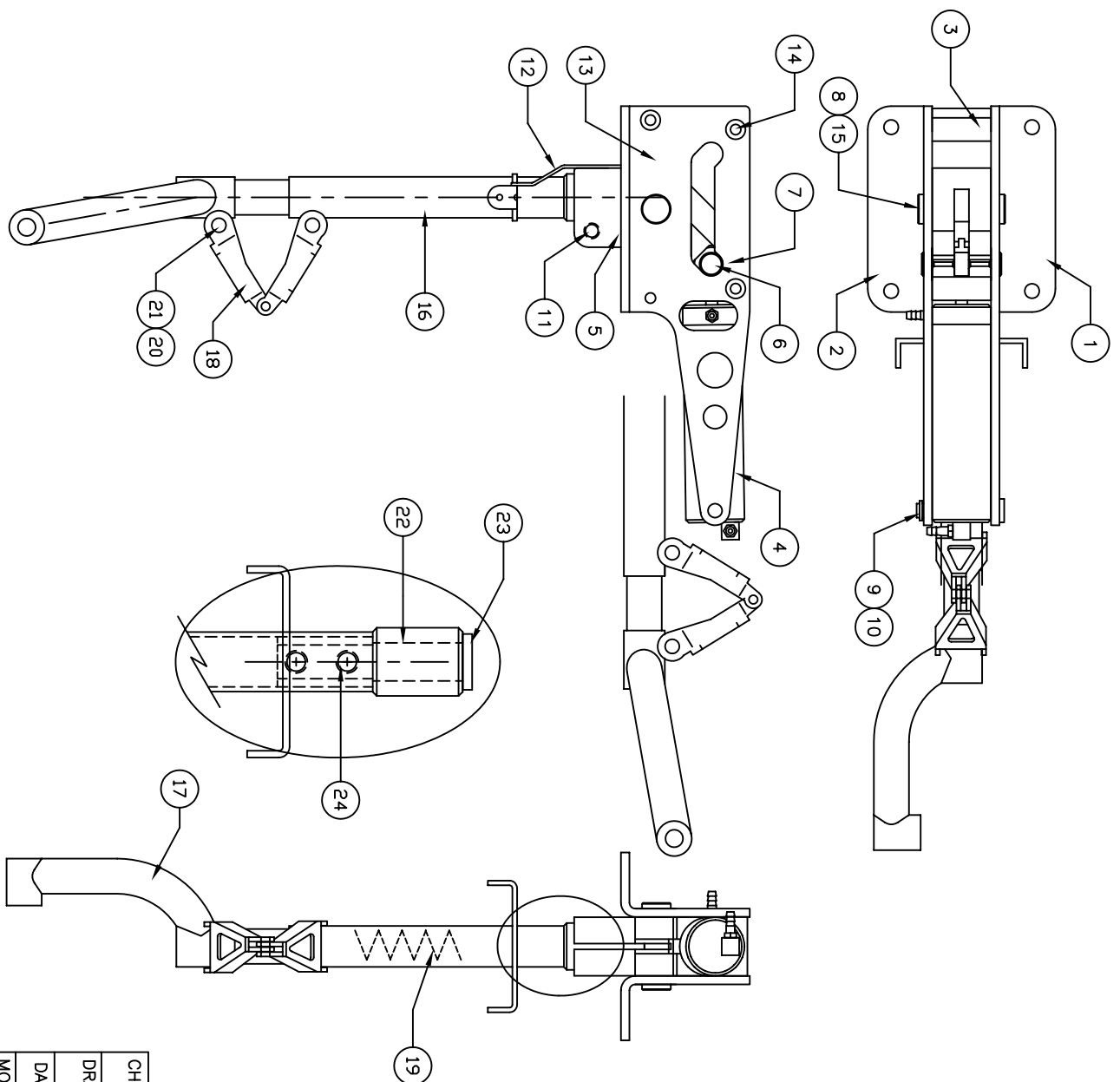


\*\* THIS IS YOUR SPARE PARTS LIST. SAVE FOR FUTURE REFERENCE, ORDER BY PART NUMBER. CURRENT PRICES WILL BE QUOTED.\*\*

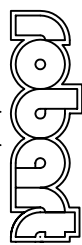


### SPARE PARTS LIST

QTY	ITEM	DESCRIPTION	ASSY/PART #
1	1	SIDE FRAME (LH)	630-001M
1	2	SIDE FRAME (RH)	630-002M
3	3	FRAME SPACER	630-005M
1	4	CYLINDER ASSEMBLY	KAN-108A
1	5	TRUNION	630-003M
1	6	CAM PIN	630-012M
2	7	CAM FOLLOWER	630-011M
1	8	TRUNION PIN	630-333M
1	9	CLEVIS PIN	150-012M
1	10	RETAINING RING	1039F
1	11	CLAMP SCREW	1110F
1	12	STEERING SPRING	630-021M
1	13	#8-32 x 1/4 BHCS	1133F
6	14	#4-40 X 1/4 PPHMS	1047F
2	15	TRUNION PIN RETAINING RING 1132F	
1	16	UPPER STRUT ASSY	KAN-303A
2	17	OLEO STRUT ASSY	KAN-208A
1	18	TORQUE LINK ASSY	620-112A
1	19	SPRING 4 5/8" LENG	660-006P
2	20	CLEVIS PIN	620-012M
2	21	E CLIP	1039F
1	22	STEERING BUSHING	V825-211M
1	23	AXLE SHAFT	BZA-319M
2	24	#8-32 SDC SET SCREW	1199F
	10		

906-228M

FACTORY REPAIR FEE= \$25.00 PLUS PARTS

CHK'D BY			MFG. INC. 625 N. 12TH ST. ST. CHARLES, IL (630)584-7616
DRAWN BY	J. REHAK		
DATE	3/04	TITLE	630 HARPOON NOSE GEAR SPARE PARTS
MODEL No.	630HARPOON		