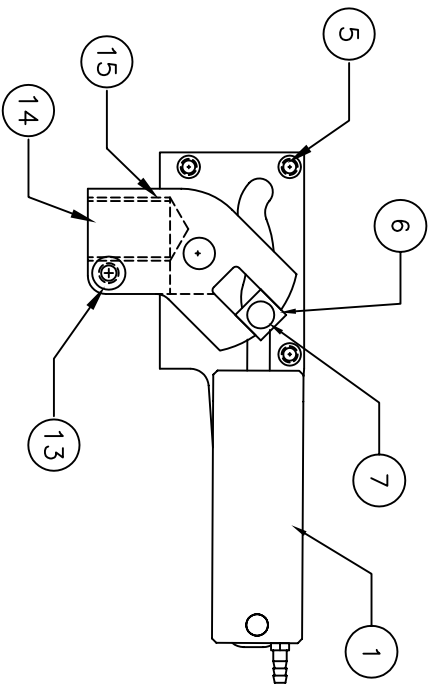
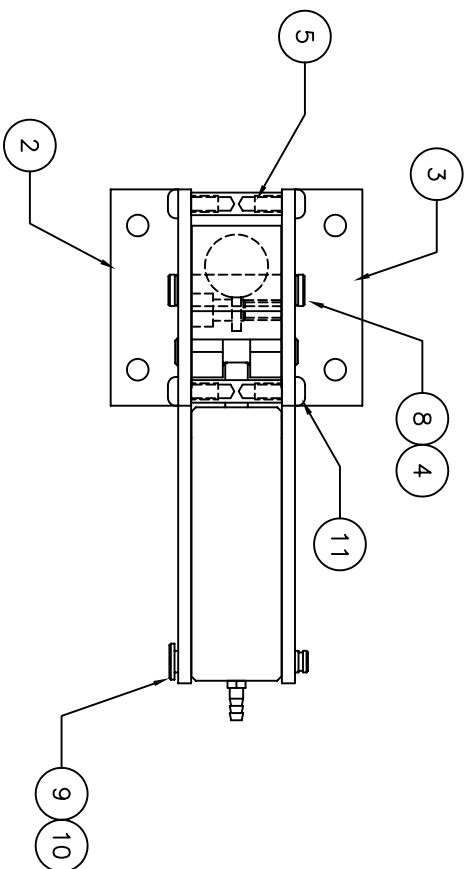


** THIS IS YOUR SPARE PARTS LIST. SAVE FOR FUTURE REFERENCE, ORDER BY PART NUMBER. CURRENT PRICES WILL BE QUOTED.**

SPARE PARTS LIST

QTY	ITEM	DESCRIPTION	ASS'Y/PART #
1	1	CYLINDER ASSEMBLY	550-420A
1	2	SIDE FRAME LH	550-014M
1	3	SIDE FRAME RH	550-015M
2	4	PIVOT RETAINING RING	1125F
3	5	FRAME SPACER (BAR)	530-021M
2	6	CAM BLOCK	530-030M
1	7	CAM PIN	530-029M
1	8	PIVOT PIN	530-026M
1	9	CLEVIS PIN	150-012M
1	10	RETAINING RING	1039F
6	11	#4-40 x 1/4 BHSMS	1047F
1	12		
1	13	#6-32 x 3/8 SHCS	1048F
1	14	TRUNION	550-001M
1	15	3/8" ROBOSTRUT ADAPTER	650-022M
	16		
	17		
	18		
	19		



CHK'D BY		MFG. INC.
DRAWN BY	J. REHAK	625 N. 12TH ST.
DATE	8/03	ST. CHARLES, IL
MODEL No.	700RS	(630)584-7616
TITLE		90° SPRING DOWN MAIN GEAR
FACTORY REPAIR FEE= \$25.00 PLUS PARTS		ROBOSTRUT READY

906-296M

