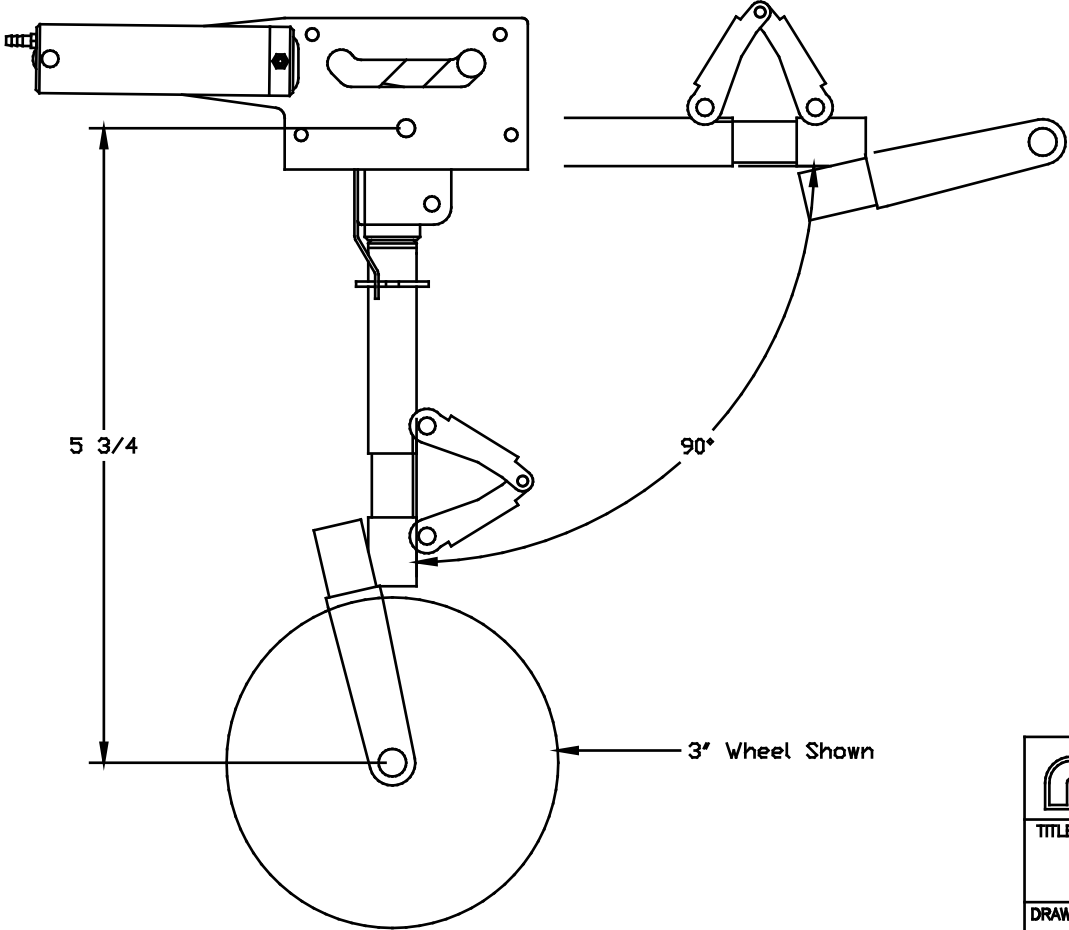
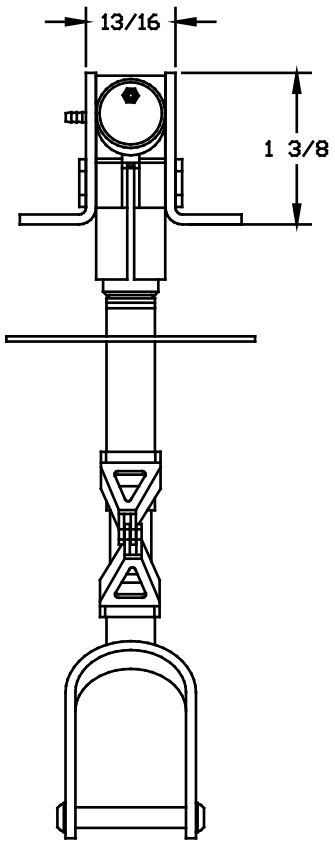
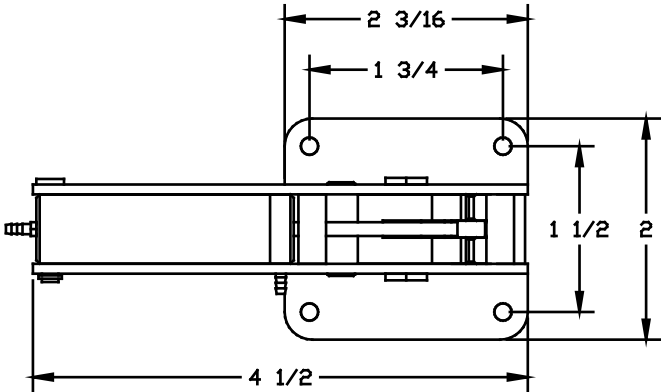


THIS DRAWING ITS CONTENTS AND INFORMATION, ARE CONFIDENTIAL, AND THE PROPERTY OF ROBERT MFG., INC. IT MAY NOT BE USED, COPIED, AND / OR TRANSMITTED TO ANY PER PERSON, FIRM, OR CORPORATION WITHOUT THE PRIOR WRITTEN APPROVAL OF ROBERT MFG. INC..



5 3/4

3' Wheel Shown

MFG. INC. 625 N. 12TH ST. ST. CHARLES, IL	
TITLE ZIROLI F9F NOSE GEAR ASSEMBLY	
DRAWING No. ZF9F	